

Fig.1

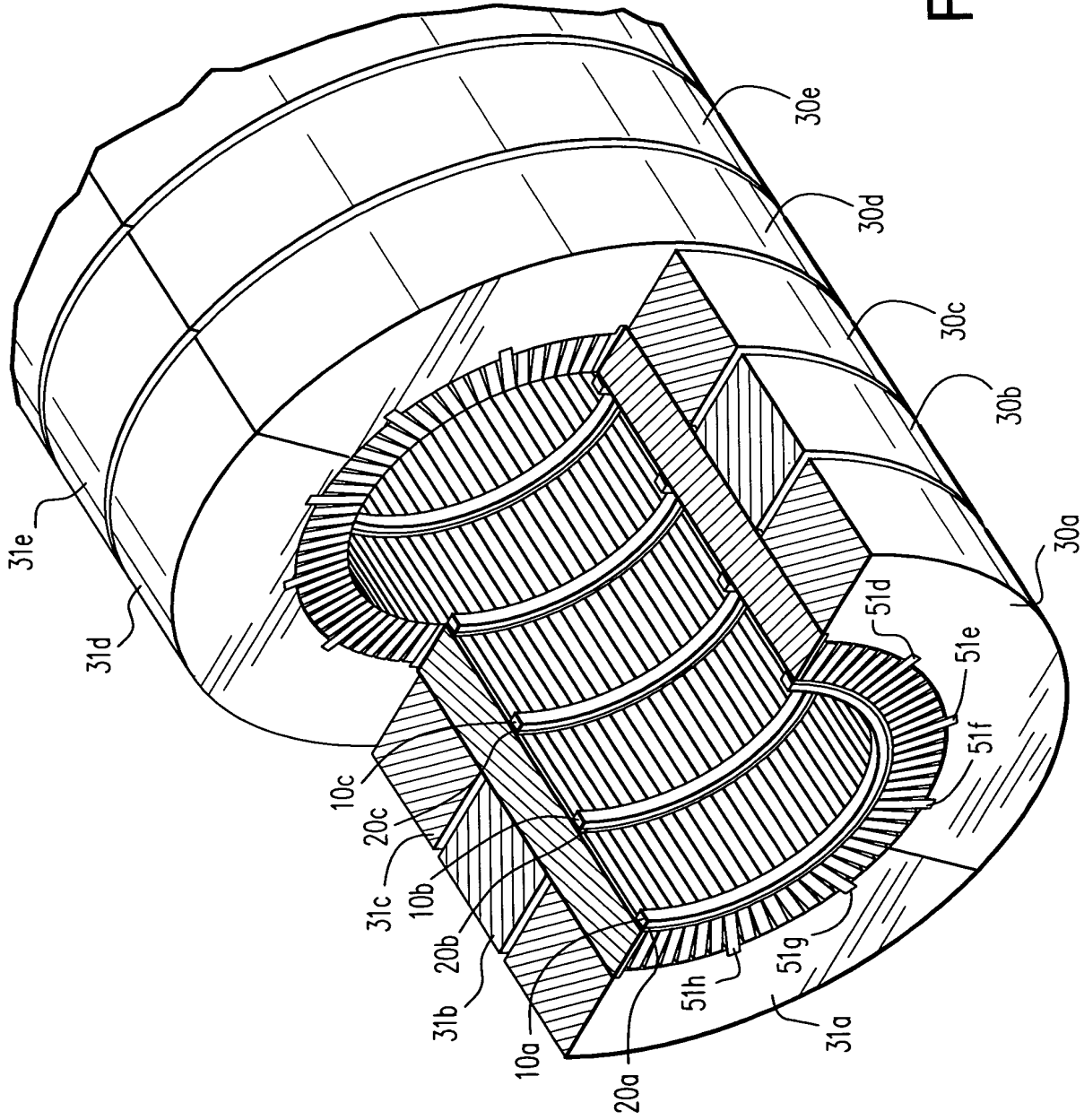


Fig.2

00227 506 F.1A.6D

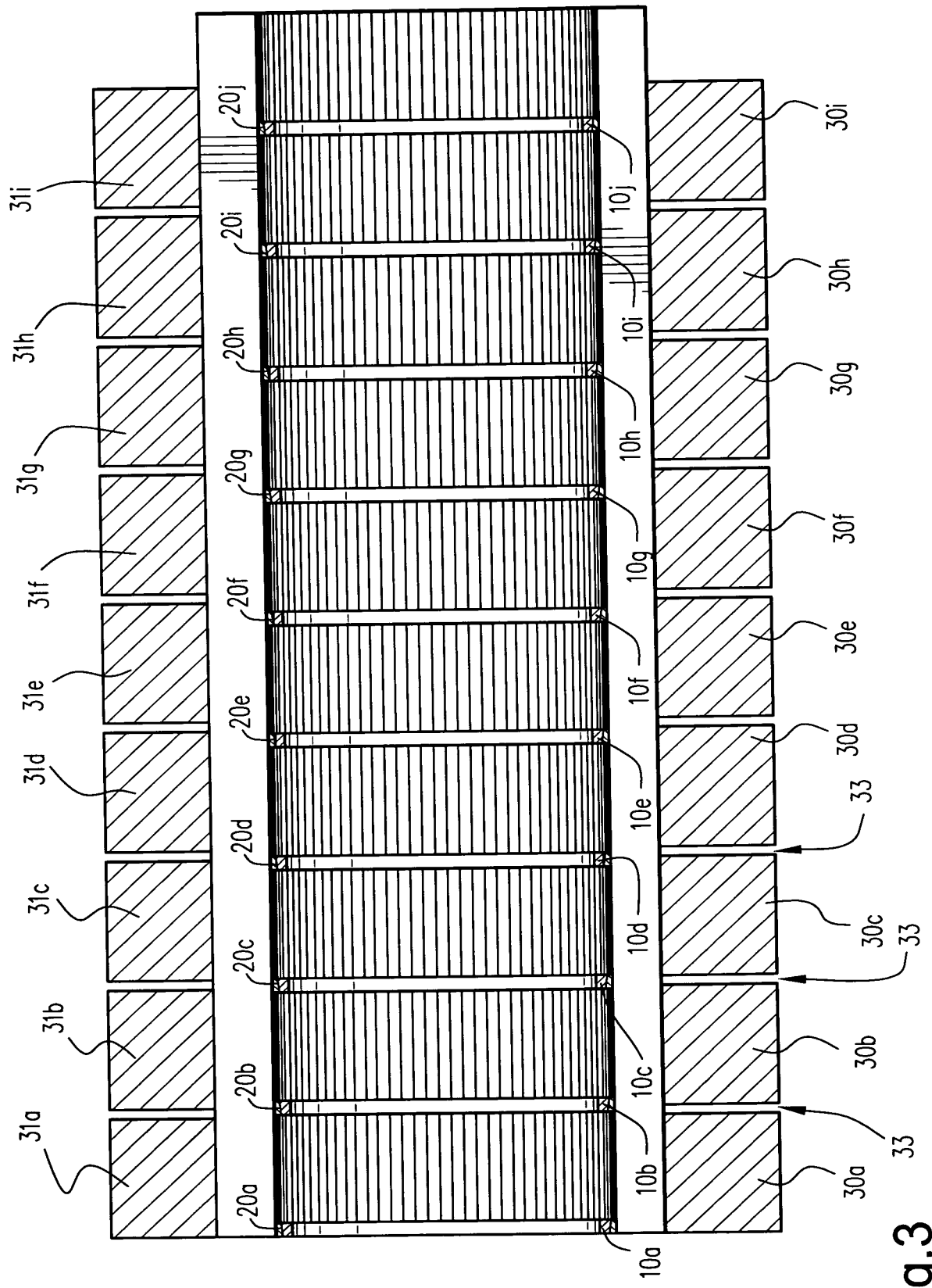


Fig.3

Hof H

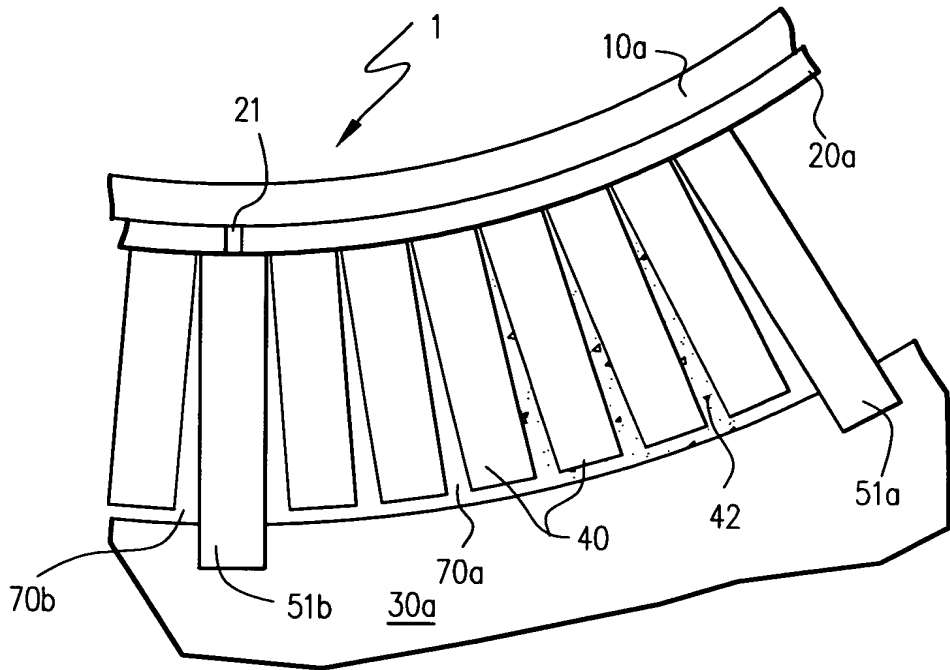


Fig.4

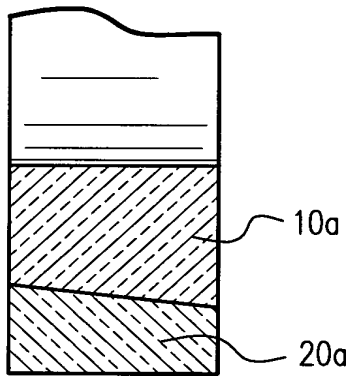


Fig.5

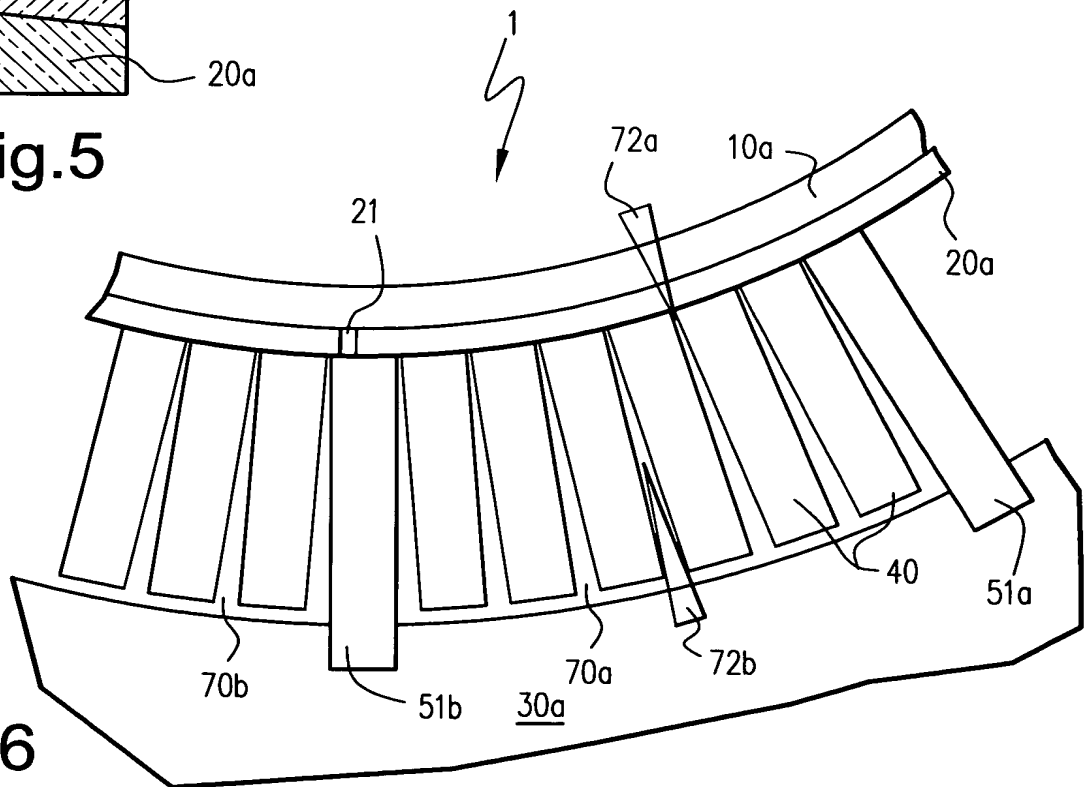


Fig.6

00000000000000000000